

GKA108M-182

390W-410W Mono

M10/182mm Cell. 108 Half-Cell Layout

MBB
182mm

GAMKO

SOLAR

KEY FEATURES



M Busbar Solar Cell

M Busbar Solar Cell design improves module efficiency and offers better aesthetic appearance for rooftop installation.



High Efficiency:

Higher module conversion efficiency (up to 24.67%) benefit from Passivated Emitter Rear Contact (PERC) technology.



PID Resistance:

Excellent Anti-PID performance guarantee limited power degradation for mass production.



Low-light Performance:

Advanced glass and cell surface textured design ensure excellent performance in low-light environment.



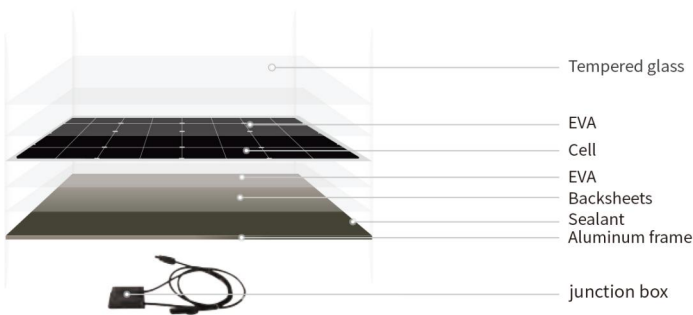
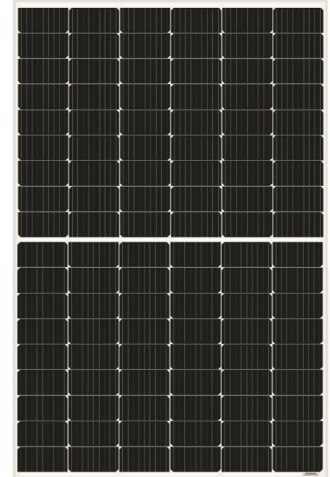
Severe Weather Resilience:

Certified to withstand: wind load (2400 Pascal) and snow load (5400 Pascal).



DURABILITY AGAINST EXTREME ENVIRONMENTAL CONDITIONS:

High salt mist and ammonia resistance certified by TUV NORD.



GAMKO SOLAR MODULE BOM

CELLS: TIER 1 BRANDS SOLAR CELLS

TEMPERED GLASS: ULTRA-CLEAR

EVA: TRANSPARENCY > 93%

BACKSHEETS: REFLECTIVITY > 80%, TPT

JUNCTION BOX: IP65/IP67 MAX 30A

SILICON GEL: UV, AGING-RESISTANT

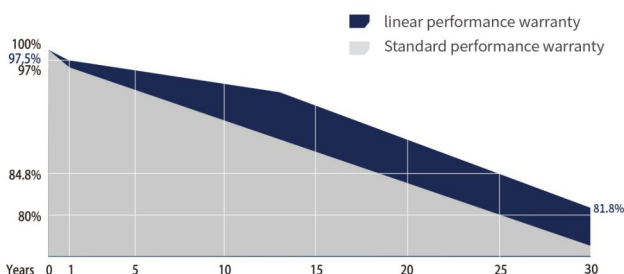
FRAME: ANODIZED ALUMINUM 6005-T5

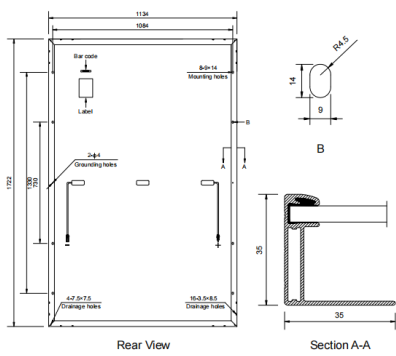
GAMKO QUALITY CONTROL

- ◆ 2 EL testing avoid cells cracking of each solar module.
- ◆ 2 Power flash testing avoid false welding and insufficient power of each module.
- ◆ Packing tightly with angle protection avoid transportation broken.
- ◆ Gamko Official Warranty cover all Gamko solar module 30 years.

LINEAR PERFORMANCE WARRANTY

12 Year Product Warranty • 30 Year Linear Power Warranty





Unit: mm

Rear View

Section A-A